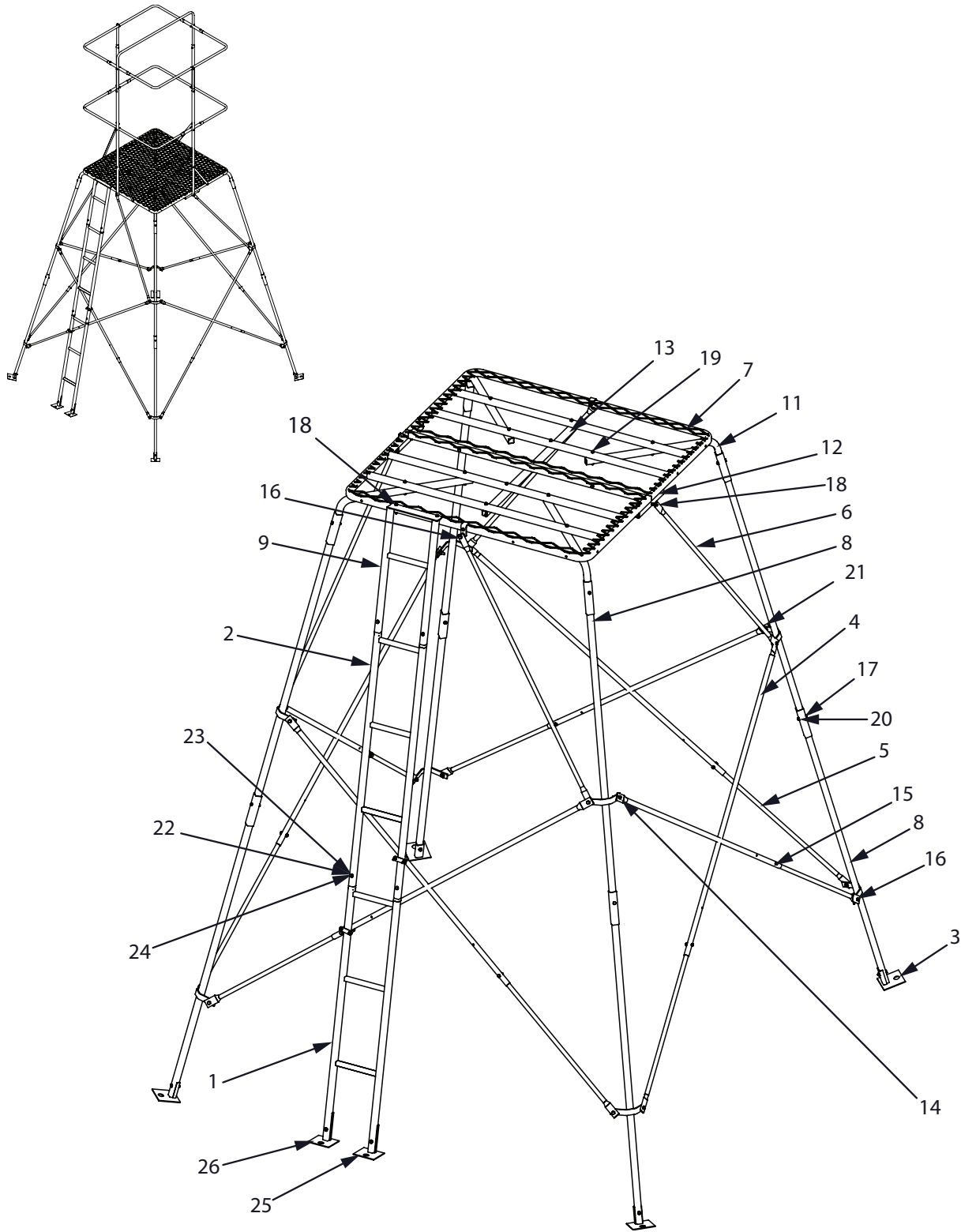
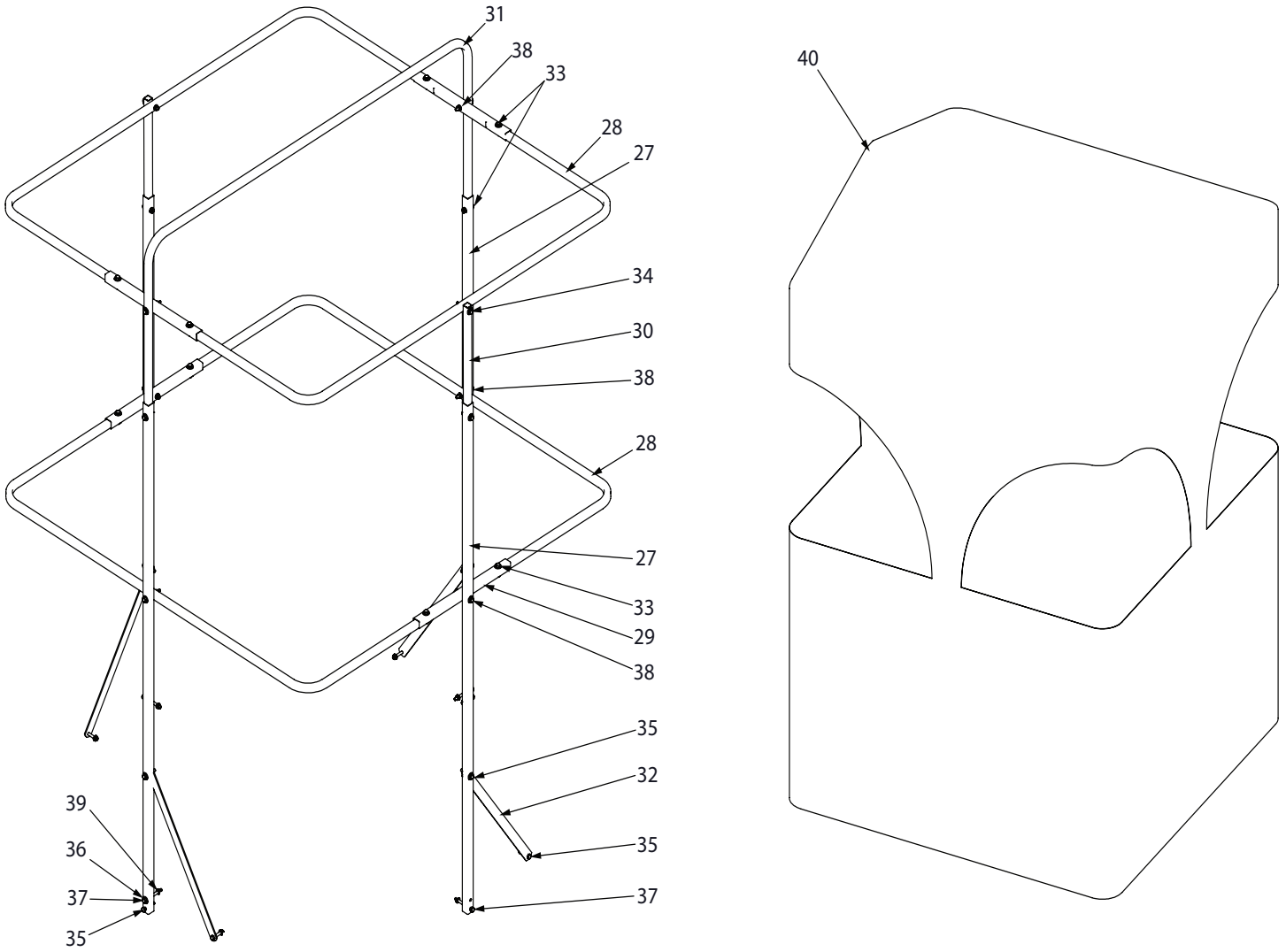


ILLUSTRATED PARTS BREAKDOWN



ILLUSTRATED PARTS BREAKDOWN



ILLUSTRATED PARTS BREAKDOWN

| ITEM # | PART # | DESCRIPTION | QTY. |
|--------|--------|-------------------------------------|------|
| 2 | AL3 | AP LADDER, 3-STEP PIN STYLE | 2 |
| 3 | TP113 | FOOT PAD | 4 |
| 4 | TP131 | BRACE, FEMALE CROSS 60" | 8 |
| 5 | TP132 | BRACE, MALE CROSS 36" | 8 |
| 6 | TP135 | BRACE, DOUBLE FLAT | 4 |
| 7 | TWR15 | PLATFORM | 2 |
| 8 | TWR20 | LEG | 8 |
| 9 | TWR21 | LADDER TOP | 1 |
| 10 | -- | -- | -- |
| 11 | TWR25 | RECEIVER, LEG | 4 |
| 12 | TWR31 | TUBE, PLATFORM, JOINER OUTSIDE | 2 |
| 13 | TWR32 | TUBE, PLATFORM, JOINER CENTER | 1 |
| 14 | 1401B | BOLT, HHCS 5/16-18 X 1-1/4" GR5 BLK | 4 |
| 15 | 8909B | BOLT, HHCS 1/4-20 X 1-1/4" GR5 BLK | 24 |
| 16 | 48151 | BOLT, HHCS 5/16-18 X 3/4" GR5 BLK | 14 |
| 17 | 48240B | BOLT, HHCS 1/4-20 X 1-1/2" GR5 BLK | 14 |
| 18 | 48250B | BOLT, HHCS 1/4-20 X 1-3/4" GR5 BLK | 6 |
| 19 | 48270B | BOLT, HHCS 1/4-20 X 2-1/2" GR5 BLK | 18 |
| 20 | 48752B | NUT, FLANGED TOP LOCK 1/4-20 | 50 |
| 21 | 48753B | NUT, FLANGED TOP LOCK 5/16-18 | 18 |
| 22 | 63226 | PLATE, BACKUP | 2 |
| 23 | 63227 | U-BOLT | 2 |
| 24 | 67538B | NUT, HEX NYLOC | 4 |
| 25 | TWR41 | HEIGHT ADJUSTER FEET | 2 |
| 26 | 48240B | BOLT, HHCS 1/4-20 X 1-1/2" GR5 BLK | 2 |
| 27 | TWR18 | RIM, UPRIGHT | 4 |
| 28 | TWR19 | RAIL, RIM | 4 |
| 29 | TWR26 | TUBE, RAIL SPANNER | 4 |
| 30 | TWR27 | TUBE, EXTENSION | 2 |
| 31 | TWR28 | RAIL, ROOF | 1 |
| 32 | SL8 | FLAT BAR, SUPPORT | 4 |
| 33 | 8909B | BOLT, HHCS 1/4-20 X 1-1/4" GR5 BLK | 12 |
| 34 | 48153B | BOLT, HHCS 1/4-20 X 2" GR5 BLK | 2 |
| 35 | 48240B | BOLT, HHCS 1/4-20 X 1-1/2" GR5 BLK | 10 |
| 36 | 48261B | WASHER 1/4" BLK | 46 |
| 37 | 48270B | BOLT, HHCS 1/4-20 X 2-1/2" GR5 BLK | 6 |
| 38 | 48271B | BOLT, HHCS 1/4-20 X 2-1/4" GR5 BLK | 6 |
| 39 | 48752B | NUT, FLANGED TOP LOCK 1/4-20 | 38 |
| 40 | 48028 | BLIND COVER, CAMO | 1 |